

NHS-HE Connectivity

Real Examples of Inter-Operation

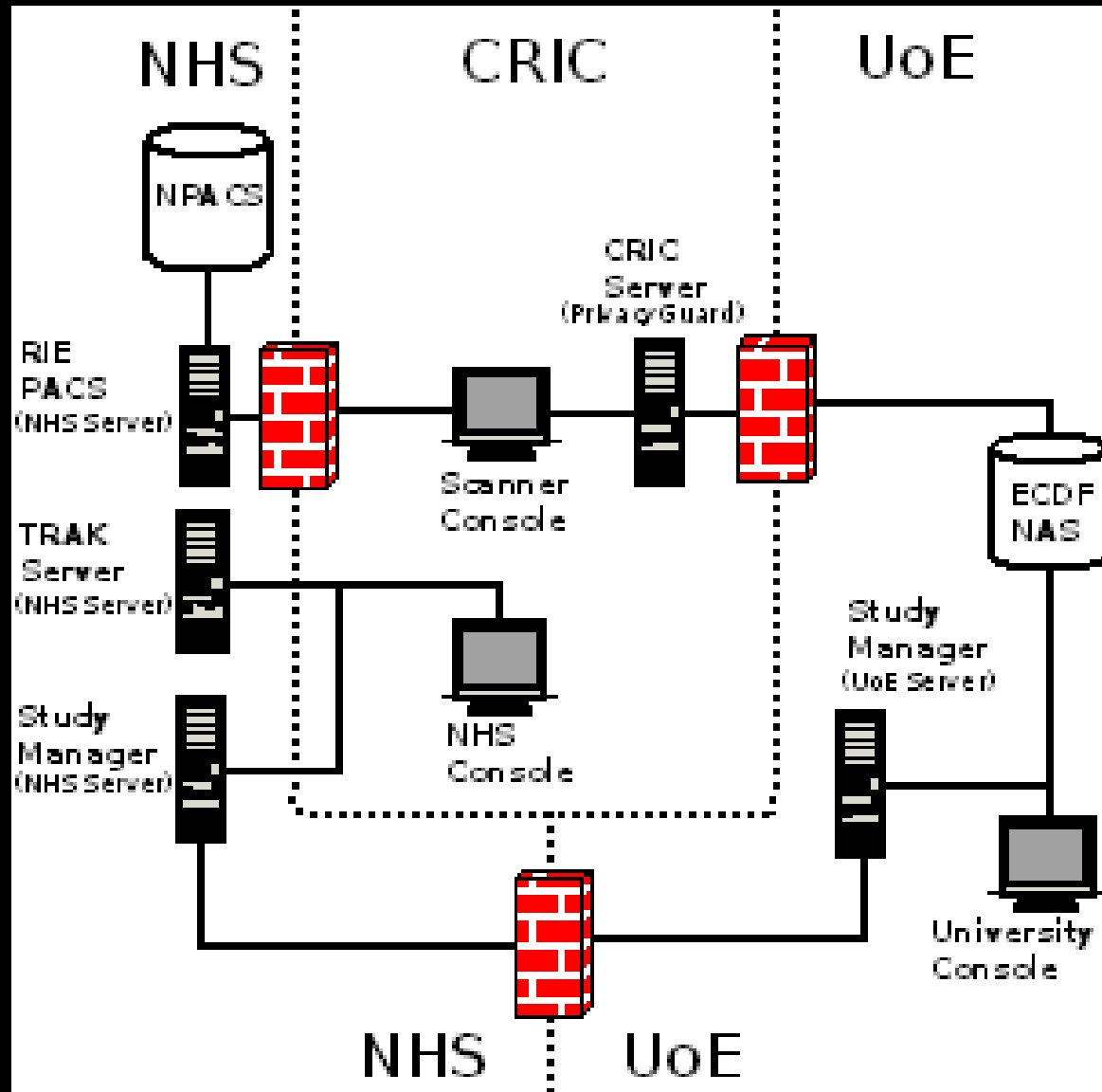
CRIC-Overview

- Situated at QMRI Little France
 - 64 Slice PET/CT Scanner (Siemens)
 - Cyclotron and labs for tracer production
 - 3T MRI (Siemens)
 - 320 Slice CT Scanner (Toshiba)
- Provides imaging for:
 - NHS services
 - Research in patients
 - Research in volunteers

Data Transfer / Information Governance

- Radiography staff have honorary contract
 - Stipulates rules for accessing patient data
 - Agreement to abide by those rules
- Key research staff have letters of research access
- All others have only access to anonymous data
- Network connections and workflows covered by memorandum of understanding

CRIC – Infrastructure



CRIC – Future Work

- Subject and patient bookings entered in TRAC (RIS) and StudyManager separately
 - May be possible to use HL7 to update relevant systems within NHS
- On completion of scanning relevant data sent to separate destinations manually
 - May be possible to use routing based on project imaging protocols
- Use of Enhanced CT and MR IOD not possible at moment
 - Would solve large number of small files problem for storage systems

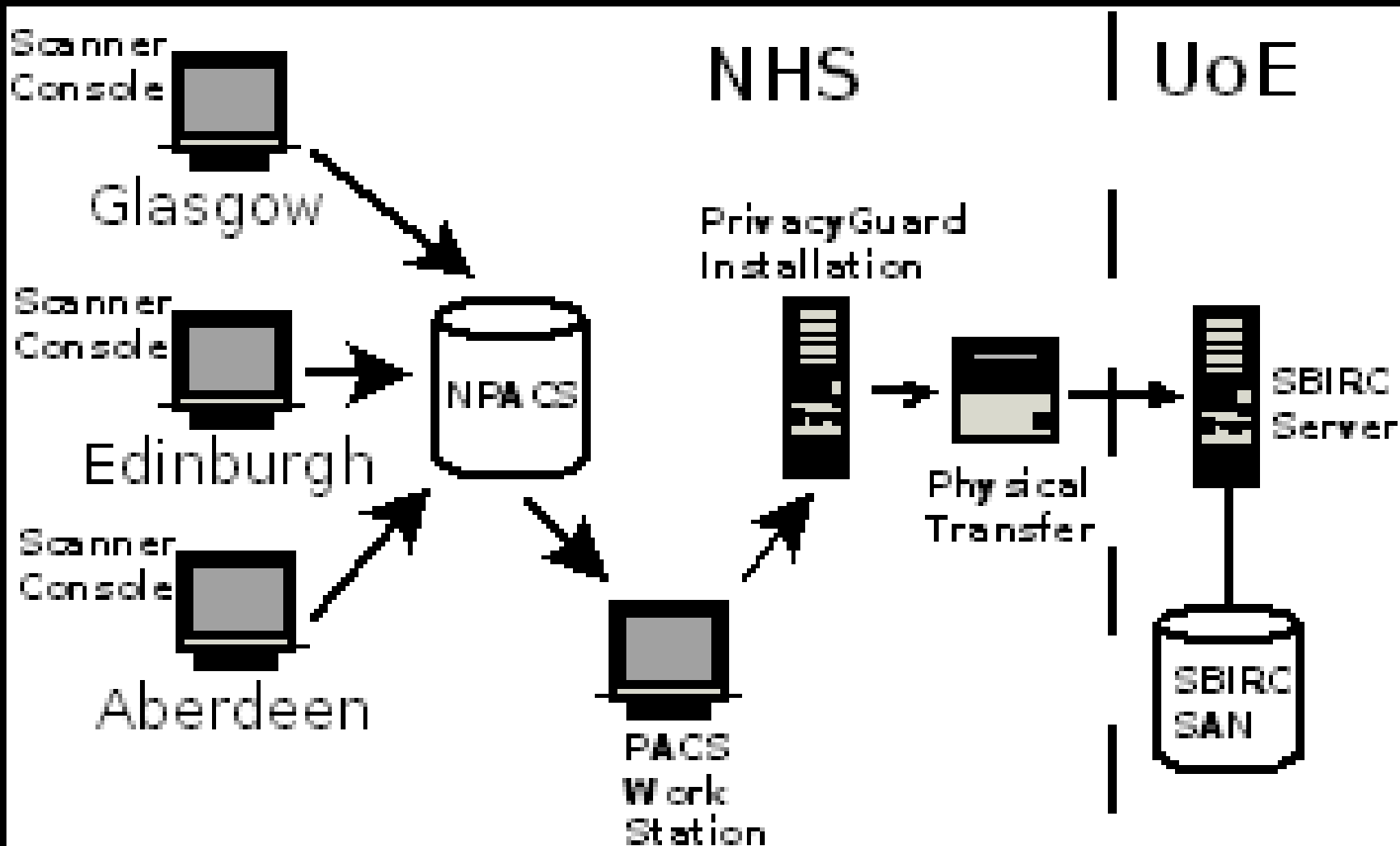
CRIC - Summary

- All patient identifiers stored within NHS
- Research data is anonymous to UoE staff
- Data automatically de-identified by PrivacyGuard-StudyManager linkage
- PrivacyGuard used to implement data consolidation and transfer to ECDF NAS

Salvageable Tissue Study - Overview

- Multi-centre study in acute stroke patients
- Three centres for recruitment
 - Glasgow (CT - NHS, MR - NHS)
 - Edinburgh (CT - NHS, MR - University)
 - Aberdeen (CT - NHS, MR - University)
- Data required for on going clinical care
 - Acutely unwell patients need to be in clinical environment

Salvageable Tissue Study - Infrastructure



Salvageable Tissue Study - Summary

- Utilises National NHS PACS for collection
 - May be better to send data from each site to central PrivacyGuard
- Patient clinical data collected separately for study
- As with the CRIC:
 - Patient identifiers stored within NHS
 - Research data is anonymous to HE staff
 - Data automatically de-identified by PrivacyGuard

Acknowledgements

- NHS Lothian
 - Martin Egan
 - Ted Boyle
 - Graham Ewing
 - Gavin Greg
 - Mandy Creighton
 - Greg Davies
- NHS ISD
 - Patricia Rudy
 - John Potts
- NHS-HE
 - Malcolm Teague
- WTCRF/CRIC
 - Elizabeth McDowell
 - Julian Sparrow
 - Dickon Jackson
- SINAPSE
 - David Rodriguez
 - Janet DeWilde
- NESC
 - Jano Van Hemert
- SBIRC
 - Martin Connell
 - Joanna Wardlaw